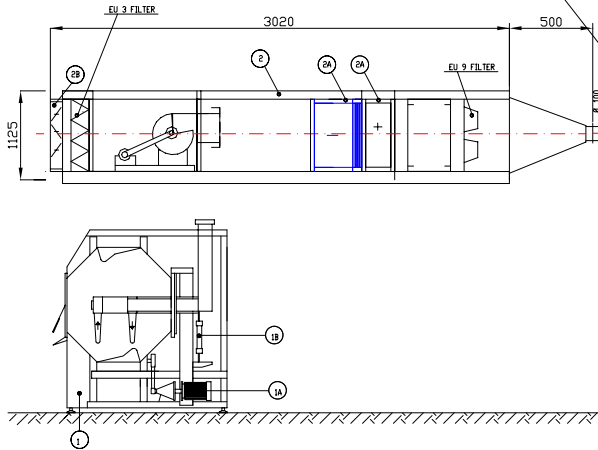
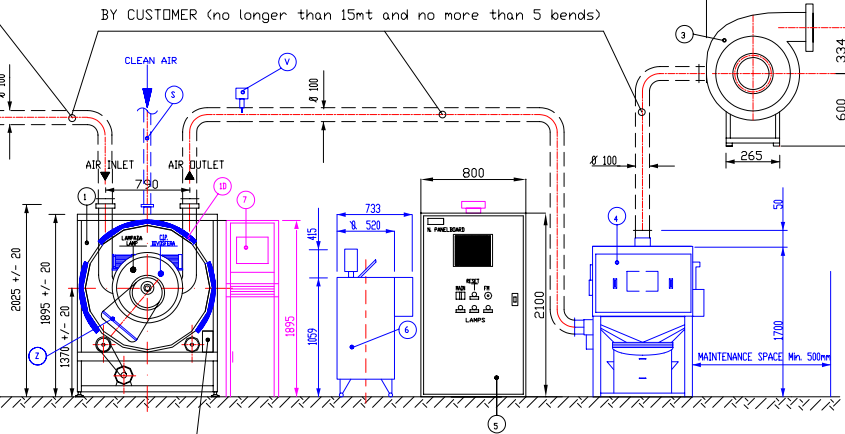


BY CUSTOMER it is necessary to provide at last 1,5 mt. of linear duct without any bend for air flow transmitter installation ( 1 mt. before the flow transmitter and 0,5 mt. after the flow transmitter )

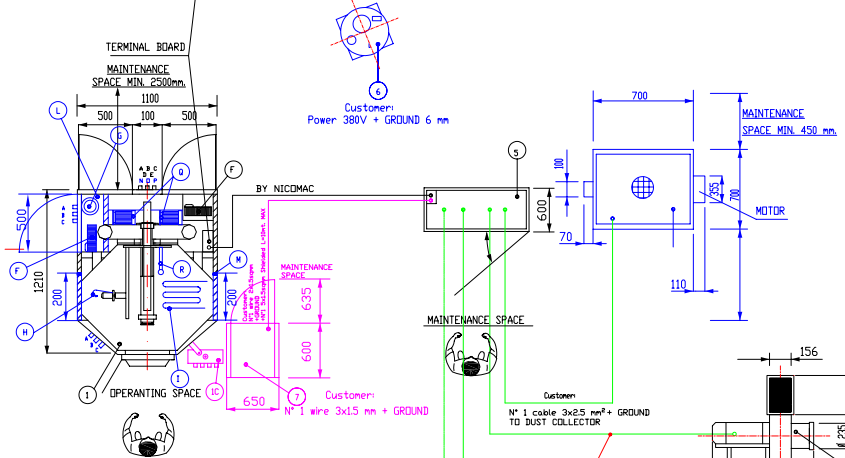
**SIDE VIEW**



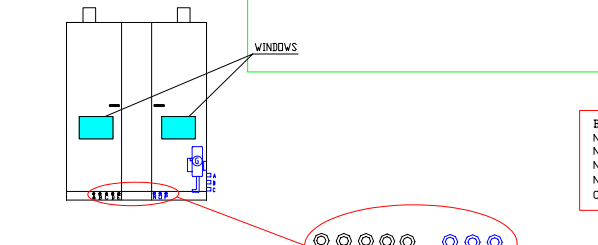
**FRONT VIEW**



**TOP VIEW**



**REAR VIEW**



1	BASSINA/COATING PAN	LAB. 50
	CAPACITA' MASSIMA / MAX CAPACITY	Lt. 50
1A	POTENZA MOTORE CESTO / DRUM MOTOR POWER	kW 0,75
1B	PISTONE PNEUMATICO / PNEUMATIC PISTON	
	VELOCITA' CESTO / DRUM SPEED	r.p.m. 0 - 20
	PESO A VUOTO / NET WEIGHT	kg 600
1C	BATTERIA DI RAFFREDDAMENTO / COOLING BOARD MANUAL CONTROL BOARD	
1D	BATTERIA DI RISCALDAMENTO / HEATING BOARD THERMALOCK POWER	3 x 1,5 kW

2	GRUPPO DI VENTILAZIONE/INLET AIR UNIT	
	AREA DI ENTRATA / INLET AIR FLOW	m³/m 600
	HST UTILE / USEFUL PRESSURE	mm/Hg 0.300
	POTENZA VENTILATORE MANDATA / FAN POWER	kW 1,5
2A	BATTERIA DI RAFFREDDAMENTO / COOLING BOARD	m³/h 114
2B	BATTERIA DI RISCALDAMENTO / HEATING BOARD	
	CONSUMO VAPORE / STEAM CONSUMPTION	kg/h 35,7
	PRESSIONE VAPORE / STEAM PRESSURE	BAR 3
	PESO / WEIGHT (a+b)	kg 464
2C	SERRANDA PNEUMATICA / PNEUMATIC DAMPER	

3	VENTILATORE DI ASPIRAZIONE/OUTLET AIR FAN	
	AREA IN USCITA / OUTLET AIR	m³/m 650
	HST UTILE / USEFUL PRESSURE	mm/Hg 0.300
	POTENZA VENTILATORE ASPIRAZIONE / SUCTION FAN MOTOR	kW 1,5
	PESO / WEIGHT	kg 65

4	ABBATTITORE POLVERI / DUST COLLECTOR	
	MOTORE SOSPENSORE / SHOWER MOTOR	kW 0,25
	PESO A VUOTO / NET WEIGHT	kg 120

5	PLC	SIMPLEX	MICROLAC
	POTENZA TOTALE / TOTAL POWER	kW 7,5	kW 7,5
	PESO PLC / PLC WEIGHT	kg 400	kg 400

6	SERBATOIO/TANK	BM 60LT.
	POTENZA BAGNIMARIA / TANK POWER	kW 3
	POTENZA AGITATORE / STIRER POWER	kW 0,37
	PESO VUOTO BAGNIMARIA / NET WEIGHT	kg 150

7	PC	
	POTENZA PC / PC POWER	kW 1,75
	PESO PC / PC WEIGHT	kg 150

UTILITIES	
ARIA COMPRESSA / COMPRESSED AIR	BAR 6 - 8
CONSUMO A 6 BAR / CONSUMPTION	Lt/mh 1500
CONSUMO ARIA POMPA ALTA PRESSIONE / HIGH PRESSURE PUMP AIR CONSUMPTION	Lt/mh 600
ACQUA ADDOLCITA / SOFTENED WATER	Lt/mh 500
PRESSIONE ACQUA / WATER PRESSURE	BAR 4 - 5
TENSIONE / VOLTAGE	400 V - 50 Hz

POS. LEGENDA COMPONENTI STANDARD / STANDARD COMPONENTS LEGEND	
A	INGRESSO FILM COATING Ø 3/8"
B	FILM COATING INLET Ø 3/8"
A	INGRESSO SIGAR COATING Ø 1/2"
B	SIGAR COATING INLET Ø 1/2"
C	REINFORCED SIGAR COATING Ø 1/4"
D	INGRESSO ARIA COMPRESA INDUSTRIALE Ø 12 x Ø 18 / INDUSTRIAL COMPRESSED AIR INLET Ø 12 x Ø 18
E	INGRESSO ARIA COMPRESA FILTRATA Ø 12 x Ø 18 / COMPRESSED FILTERED AIR INLET Ø 12 x Ø 18
F	POMPA PERISTALTICA / PERISTALTIC PUMP

POS. OPTIONALI MACCHINA / MACHINE OPTIONALS	
G	POMPA ALTA PRESSIONE / HIGH PRESSURE PUMP (OPT)
H	SPRAY CLEAN
I	THERMALOCK
L	VANO DI SEPARAZIONE POMPE CON PROVA DI ESPOSIZIONE / PUMP SEPARATION PAINT WITH INSPECTION BOX
M	PANNELLI DI INTERACCIA / INTERFACE PANELS
N	INGRESSO ACQUA THERMALOCK Ø 1/2"
O	THERMALOCK INLET WATER Ø 1/2"
P	INGRESSO ACQUA THERMALOCK Ø 1/2"
Q	TRACCE PER PISTOLE AUTOMATICO / AUTOMATIC GUN MARKS
R	FLUORE LEAD / LEAD FLUOR
S	TUBO ARIA PALETTA PER VANO TENDINI / CLEAN AIR PIPE FOR TENDON AREA
T	VALVOLA DI GAS IN ARIA / BROWNE SOLVENT SENSOR
Z	DIFFUSORI PER PELLETTI / AIR DIFFUSERS FOR PELLETTES

1	20/06/2000	GENERAL REVIEW	D.C.
0	08/01/2000		
Rev.	DATA	MODIFIED	Drawg. / Approv.

**NICOMAC** NICOMAC srl - Via Kennedy 47 - 20090 Robbiano (DE) ITALIA  
Tel. +39-02-95.328280 - Fax. +39-02-95.321387

LEGENDA COLORI / COLORS LEGEND		MATERIALI STANDARD / STANDARD MATERIALS	
MODEL CLASSIC	■	Materiale cesto e parti a contatto prodotto in Acciaio Inox AISI 304	
MODEL ELITE	■	Drum and parts in contact with product are in Stainless Steel AISI 304	
OPTIONALS	■	MATERIALI OPZIONALI / OPTIONAL MATERIALS	
	■	Materiale cesto e parti a contatto prodotto in Acciaio Inox AISI 316	
	■	Drum and parts in contact with product are in Stainless Steel AISI 316	

BY CUSTOMER:  
N°1 cable 3 x 1,5 mm² + ground  
N°1 cable 3 x 1 mm²  
N°1 cable 2 x 1 mm² shielded  
N°1 cable 2 x 1,5 mm²  
Compressed air 6-8 bar

BY CUSTOMER:  
ELECTRICAL POWER x 400 V - 50 Hz  
N°1 cable 3 x 6 mm² + ground

CUSTOMER:		TAG N. / REQUISITION	
NICOMATIC COATING SYSTEM		ORDER N. / PROJECT N.	
SCALE: PRELIMINARY LAY-OUT OF INSTALLATION		DRAWING N. / SK.NCS.201	
LAB.50 CLASSIC / ELITE			

This drawing and the copyright are the property of Nicomac Srl and all information within its contents are confidential. This drawing must not be reproduced or disclosed to third parties without Nicomac permission.